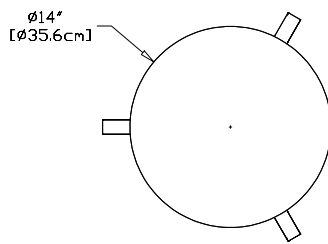
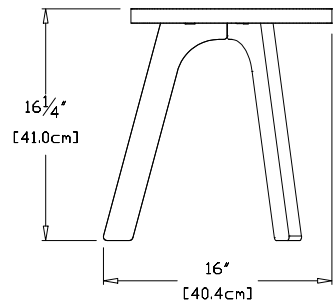




charcoal: ST-MS-CG



black: ST-MS-BL



cloud: ST-MS-CW



leaf: ST-MS-LG



chocolate: ST-MS-CB



apple red: ST-MS-AR



sunset: ST-MS-OR



sky: ST-MS-SB



sand: ST-MS-SD



evergreen: ST-MS-EG



navy blue: ST-MS-NB

collection: accessories
material: 100% recycled HDPE
dimensions: width: 14" (35.6cm)
 depth: 14" (35.6cm)
 height: 16" (40.6cm)
weight: 8 lbs (3.6kg)



64
 reclaimed
 milk jugs

shipping dimensions: 18" x 4" x 14"
shipping weight: 11 lbs (5.0kg)



flat pack shipped
 some assembly required

