



**charcoal:** LC-LLR-CG



**black:** LC-LLR-BL



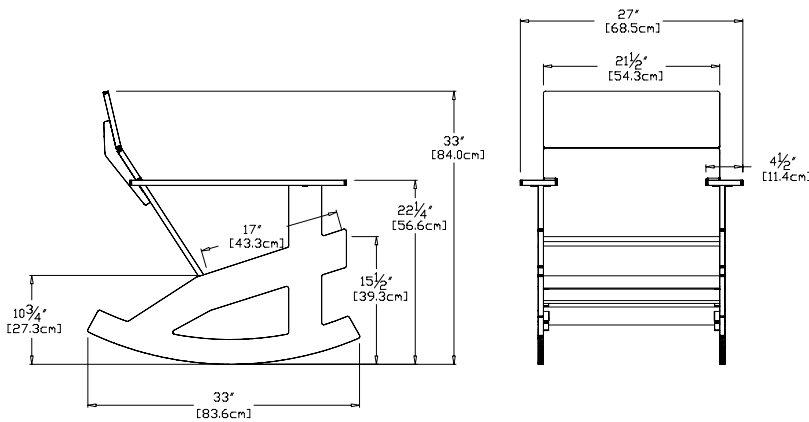
**cloud:** LC-LLR-CW



**leaf:** LC-LLR-LG



**apple red:** LC-LLR-AR



**driftwood:** LC-LLR-DW



**navy blue:** LC-LLR-NB



**sky:** LC-LLR-SB



**sunset:** LC-LLR-OR

**collection:** lollygagger

**material:** 100% recycled HDPE

**dimensions:** width: 27" (68.5cm)  
depth: 33" (83.6cm)  
height: 33" (84.0cm)

**weight:** 43.0 lbs (19.5kg)



**344**  
reclaimed  
milk jugs

**shipping dimensions:** 28.5" x 4.5" x 34"  
**shipping weight:** 47 lbs (21.3kg)



flat pack shipped  
some assembly required

